

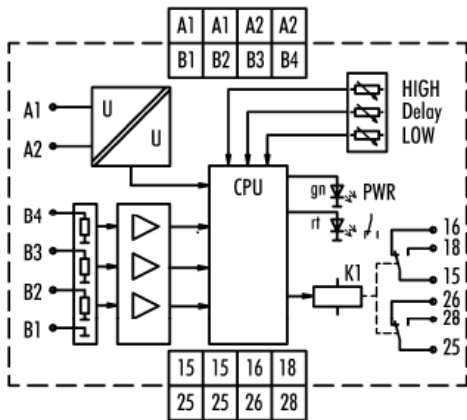
New

Digital Voltage Monitoring Relay

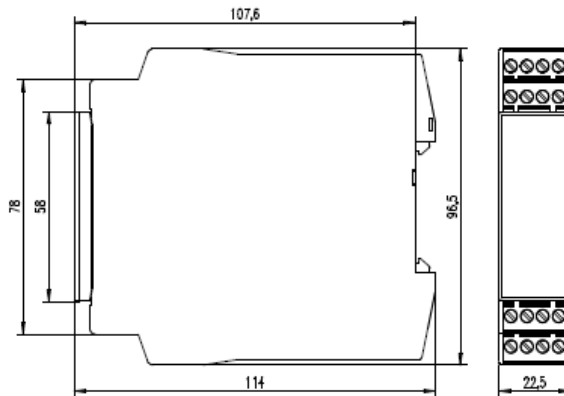


Voltage Monitoring Relays UO/U 80z

- Measuring and monitoring relays
- Upper and lower threshold adjustable separately
- 3 Measurement ranges (single Phase)
- Delay time selectable
- Multiple voltage supply range 20,4 ... 264 V AC/DC
- Mounting width 22,5 mm



Block diagramm



Dimensional Diagramm

Technical Data:

Power Supply Circuit:	
Rated supply voltage A1 – A2	24 ... 230 V AC / DC
Supply voltage range	20,4 ... 264 V AC / DC
Line frequency AC	50 / 60 Hz
Power consumption AC / DC	ca. 3 VA at 230V, 50Hz / ca. 1,5 W bei 24V DC
Measurement (DC and sinusoidal):	
Measurement ranges (B1 – B2; B1 – B3; B1 – B4)	5 V / 50 V / 300 V
Nominal frequency of measured signal at AC	45 ... 400 Hz or DC
Setting range Upper threshold (HIGH)	10 ... 100 % of measurement range
Setting range LOWER threshold (LOW)	50 ... 95 % of upper threshold (% of HIGH)
Functions / Switch Delay:	
Working principle (see Fig.2, Functional diagram)	Closed circuit or operating circuit principle
Time delay at exceeding the threshold (for both working principles) (ta)	0 / 0,1 / 0,5 / 2 / 10 s

New

Digital Voltage Monitoring Relay

Technical Data:

Operating / Functional Elements:		
1 potentiometer HIGH, (Fig. 1 – a)		Upper threshold (HIGH)
1 turn switch DELAY, (Fig. 1 –c)		Function and switch delay
1 potentiometer LOW, (Fig. 1 1 – e)		Lower threshold (LOW)
1 LED "PWR" (green), (Fig. 11 – b)		Supply voltage ON (Power)
1 LED (red), (Fig. 1 – d)	LED flashing LED ON	During switching delay time At exceeding
Output / Switching contact:		
Contacts		2 changeover contacts (1 relay)
Contact load max. AC / DC		5 A at 250 V AC / 5 A bei 24 V DC
Contact output minimum load		10 mA at 12 V, 100mA at 5V
Rated voltage		230 V
Utilization categorie acc. EN60947-5-1:2004		AC-15: U _e 230 V AC, I _e 3 A DC-13: U _e 24 V DC, I _e 2 A
Contact material		AgNi 90/10
Mechanical life cycles		20 mio switching cycles
Electrical life cycles acc. EN60730-1		>100.000 switching cycles (20 op/h)
Isolation Property:		
Dielectric strength (input / output)		2.000 V AC (50/60 Hz, f _{0r} 1 min.)
Isolation voltage (open contacts)		1.000 V AC (50/60 Hz, for 1 min.)
Approvals and Standards:		
CE		EMV 2004/108/EC; Low voltage 2006/95/EC
EMV immunity		EN60255-26; EN61000-4-2, /-4-3, /-4-4, /-4-5
EMV emission		EN60255-26; EN 61000-3-2, /-3-3, EN55011 Klasse B
Operating / Dimensions / Wiring:		
Operating temperature range	(Tu)	-20 ... +55°C
Storage temperature range	(Tu)	-40 ... +70°C
Dimensions (W x H x D)		22,5 x 97 x 114 mm
Weight		ca. 130 g
Housing material		Plastic
Mounting on		TH35-7.5 rail acc. EN 60715
Cooling		Free convection
IP protection		IP 20
Clamp type		Pluggable screw clamp, 4-poles
Connector cross section	solid / stranded	1 x 0,2 ... 2,5 mm ² / 0,2 x 0,2 ... 1,0 mm ²
Wire gauge AWG (use only Cu wires)	stranded with cable sleeve	1 x 0,25 ... 2,5 mm ² / 0,25 x ... 1,0 mm ² AWG 26 -14
Strip length		7 mm max.
Recommended torque		0. – 0. Nm (5 -7 lbf-in)
Terminal Connections:		
A1 – A1 / A2 – A2		Supply voltage
B1, B2, B3, B4		Measurement input, 3 measurement ranges
15 – 15, 16, 18		Changeover contact (relay contact 1)
25 – 25, 26, 28		Changeover contact (relay contact 2)

New

EAW RELAISTECHNIK GMBH

Ein Unternehmen der PORTAGE ELECTRIC PRODUCTS, INC. (Pepl ©)

Digital Voltage Monitoring Relay

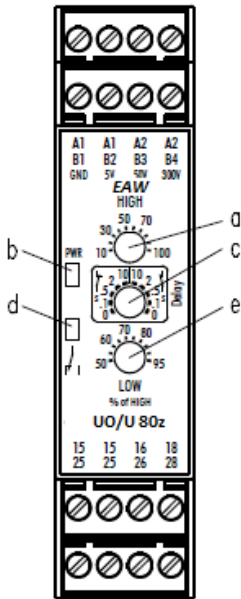


Fig. 1

Control and display elements

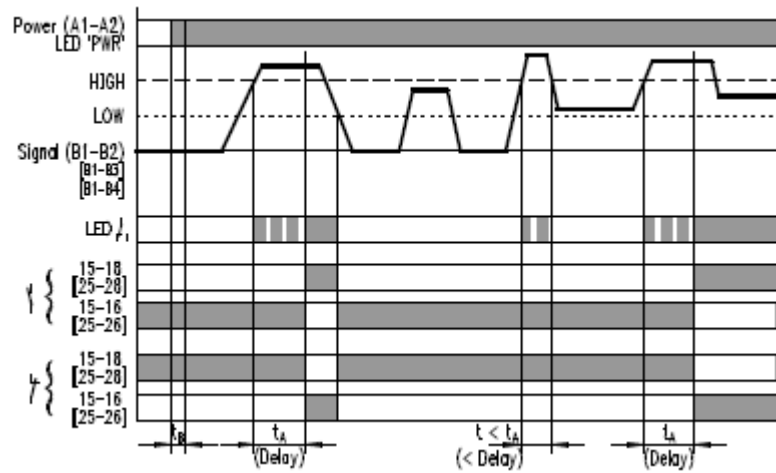


Fig. 2

Functional diagram

EAW Relaisstechnik GmbH
Hauptstr. 13
D – 10317 Berlin

Tel.: +49 (30) 55 76 22 00
Fax.: +49 (30) 55 76 22 03
E-Mail.: vertrieb@eaw-relaistechnik.de
eaw@eaw-relaistechnik.de

www.eaw-relaistechnik.de